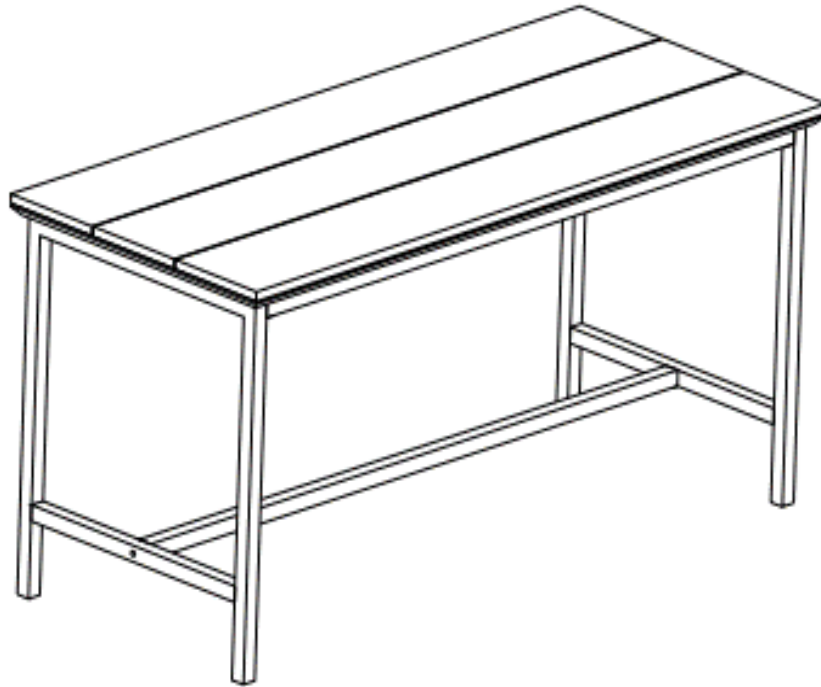




## ASTON 1200MM OUTDOOR RECTANGULAR TABLE

### ASSEMBLY INSTRUCTIONS



#### **KEEP CLEAN**

REGULARLY CLEAN YOUR FURNITURE WITH A SOFT CLOTH AND WATER. REMOVE ANY SUBSTANCES SUCH AS FOOD OR ANIMAL DROPPINGS AS SOON AS POSSIBLE.

#### **MAINTENANCE - EUCALYPTUS TIMBER**

THE EUCALYPTUS TIMBER TOPS HAVE BEEN PRE-TREATED WITH A PENETRATING, PROTECTIVE TIMBER OIL. USE AN OUTDOOR TIMBER OIL TO NOURISH AND PROTECT YOUR FURNITURE ON A REGULAR BASIS OR AS NEEDED. BE SURE TO PREPARE THE TIMBER SURFACE BEFOREHAND WITH A TIMBER WASH TO REMOVE ANY DIRT OR OTHER SUBSTANCES THAT MAY BE ON THE SURFACE OF THE TIMBER. USE TIMBER OIL AND CLEANING PRODUCTS AS SPECIFIED ON THE PRODUCT INSTRUCTIONS.

#### **COVER IT**

ALL WEATHER ELEMENTS WILL IN TIME AFFECT THE TIMBER. WHEN NOT IN USE, THE BEST WAY TO STORE AND PROTECT YOUR TIMBER FURNITURE IS WITH A FURNITURE COVER.

#### **SURFACE PROTECTORS**

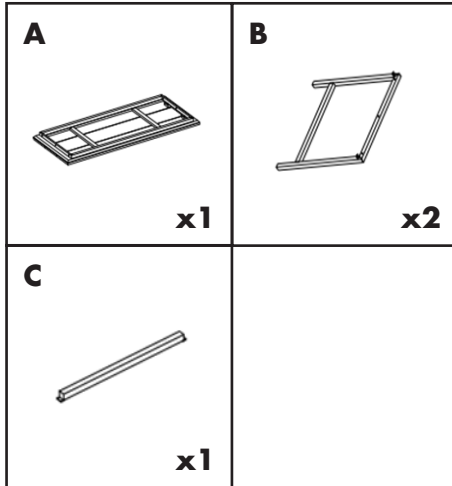
PLACE SURFACE PROTECTORS OR PROTECTIVE FEET ON THE BOTTOM OF CHAIR AND TABLE LEGS TO PREVENT SCRATCHING.



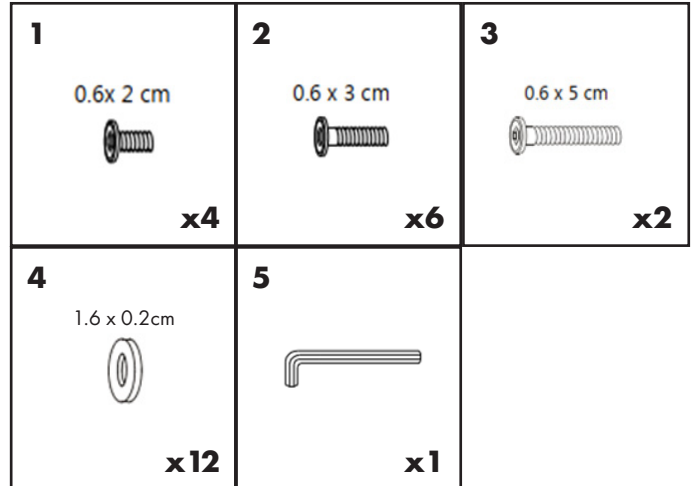
# ASTON 1200MM OUTDOOR RECTANGULAR TABLE

## ASSEMBLY INSTRUCTIONS

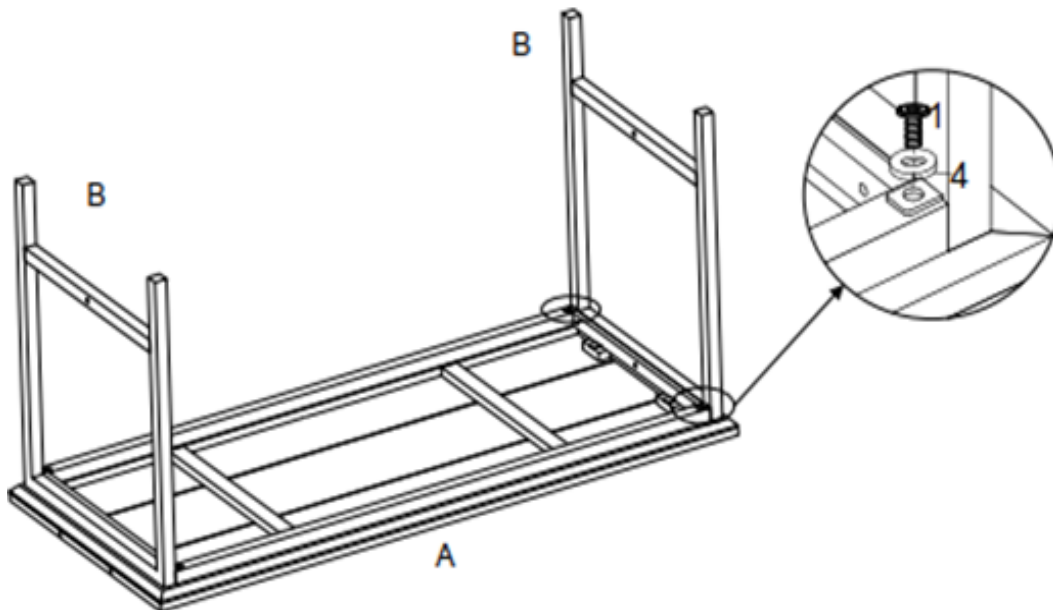
### ELEMENTS



### HARDWARE



### STEP 1

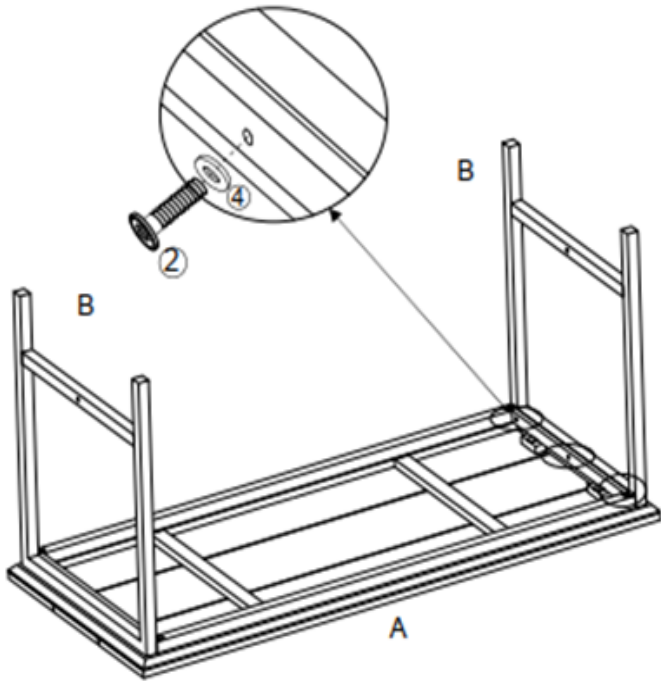




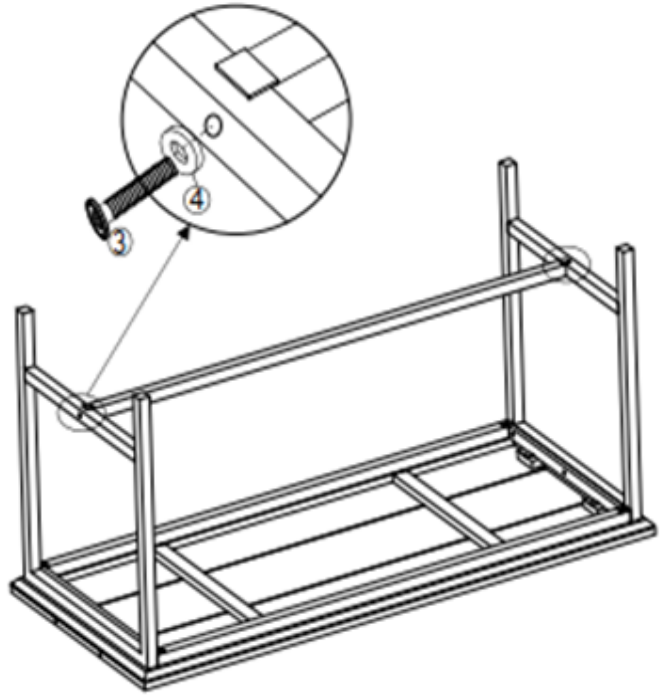
# ASTON 1200MM OUTDOOR RECTANGULAR TABLE

## ASSEMBLY INSTRUCTIONS

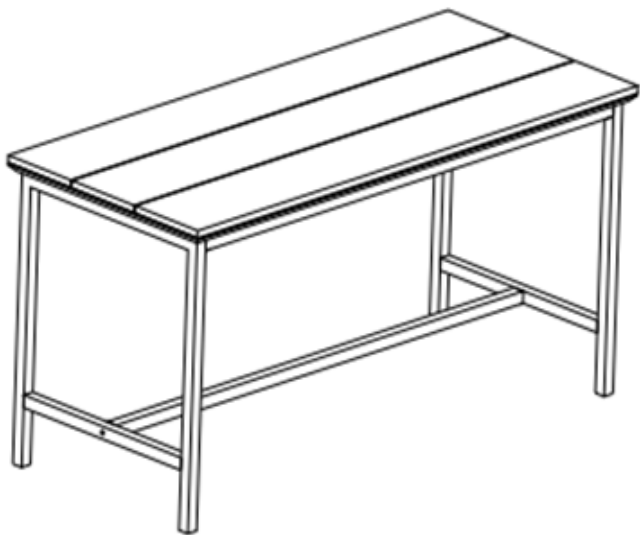
### STEP 2



### STEP 3



### STEP 4



[tusk-living.com.au](http://tusk-living.com.au)

MADE IN VIETNAM

DISTRIBUTED BY:

ZENEXUS (AUS) PH: 1300 734 714

ZENEXUS (NZ) PH: 0800 443 058