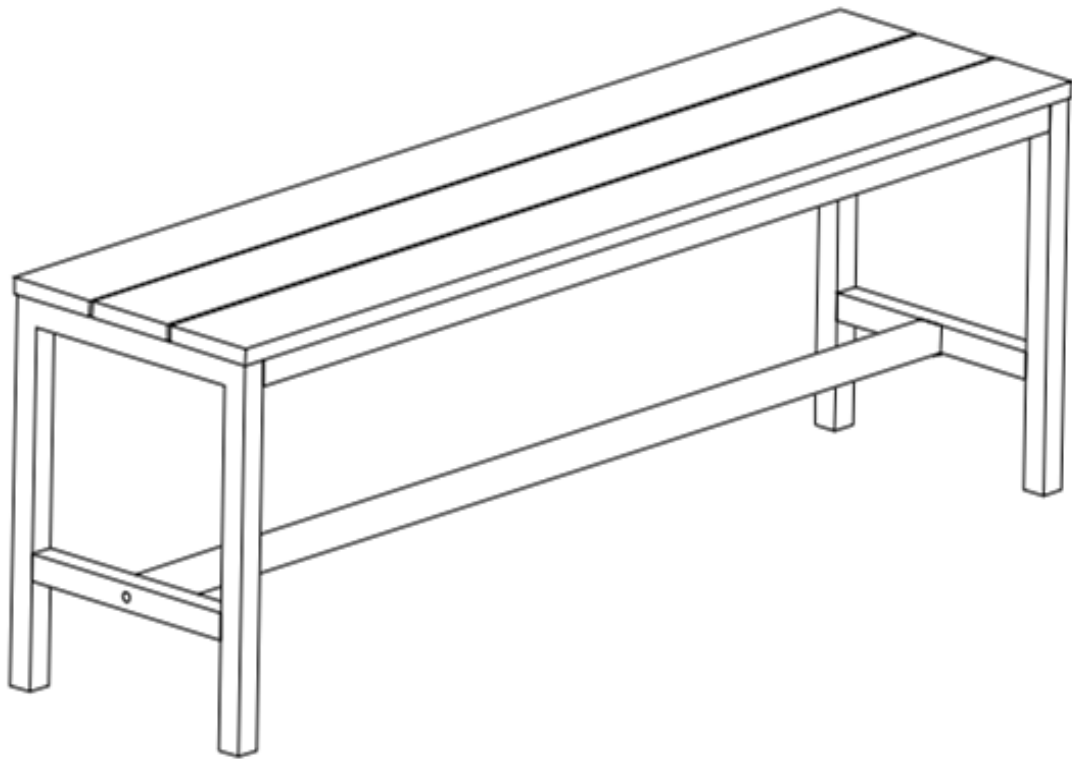




ASTON 1050MM OUTDOOR BENCH

ASSEMBLY INSTRUCTIONS



KEEP CLEAN

REGULARLY CLEAN YOUR FURNITURE WITH A SOFT CLOTH AND WATER. REMOVE ANY SUBSTANCES SUCH AS FOOD OR ANIMAL DROPPINGS AS SOON AS POSSIBLE.

MAINTENANCE - EUCALYPTUS TIMBER

THE EUCALYPTUS TIMBER TOPS HAVE BEEN PRE-TREATED WITH A PENETRATING, PROTECTIVE TIMBER OIL. USE AN OUTDOOR TIMBER OIL TO NOURISH AND PROTECT YOUR FURNITURE ON A REGULAR BASIS OR AS NEEDED. BE SURE TO PREPARE THE TIMBER SURFACE BEFOREHAND WITH A TIMBER WASH TO REMOVE ANY DIRT OR OTHER SUBSTANCES THAT MAY BE ON THE SURFACE OF THE TIMBER. USE TIMBER OIL AND CLEANING PRODUCTS AS SPECIFIED ON THE PRODUCT INSTRUCTIONS.

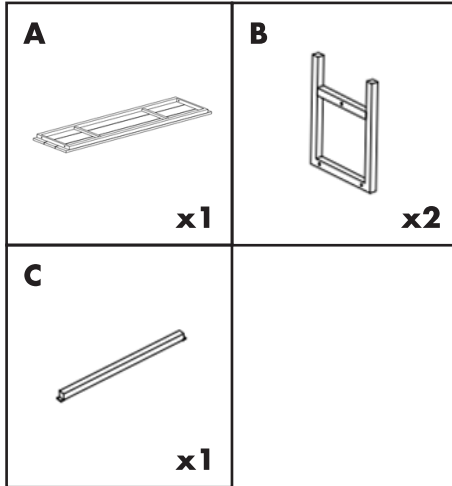
COVER IT

ALL WEATHER ELEMENTS WILL IN TIME AFFECT THE TIMBER. WHEN NOT IN USE, THE BEST WAY TO STORE AND PROTECT YOUR TIMBER FURNITURE IS WITH A FURNITURE COVER.

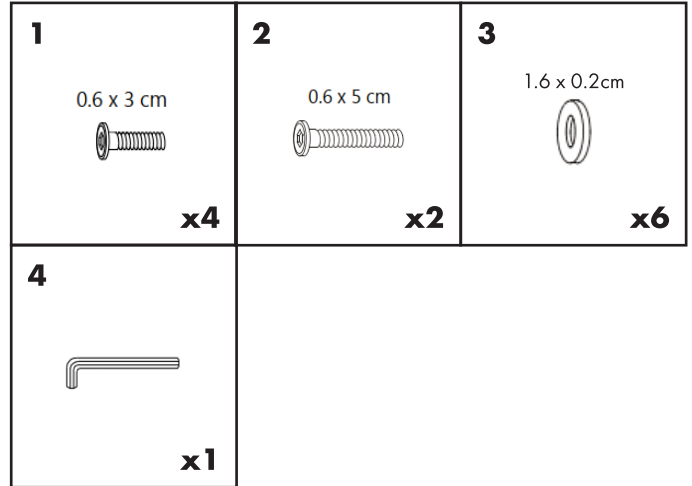
SURFACE PROTECTORS

PLACE SURFACE PROTECTORS OR PROTECTIVE FEET ON THE BOTTOM OF CHAIR AND TABLE LEGS TO PREVENT SCRATCHING.

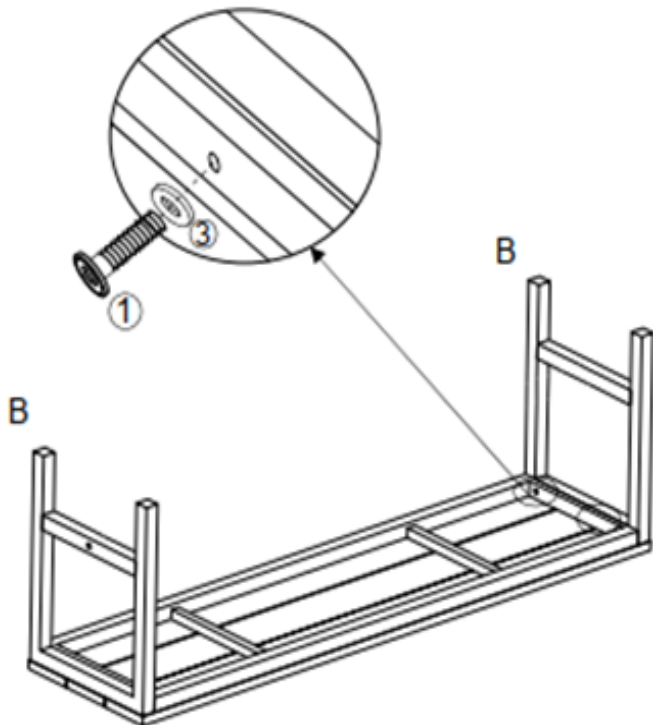
ELEMENTS



HARDWARE



STEP 1

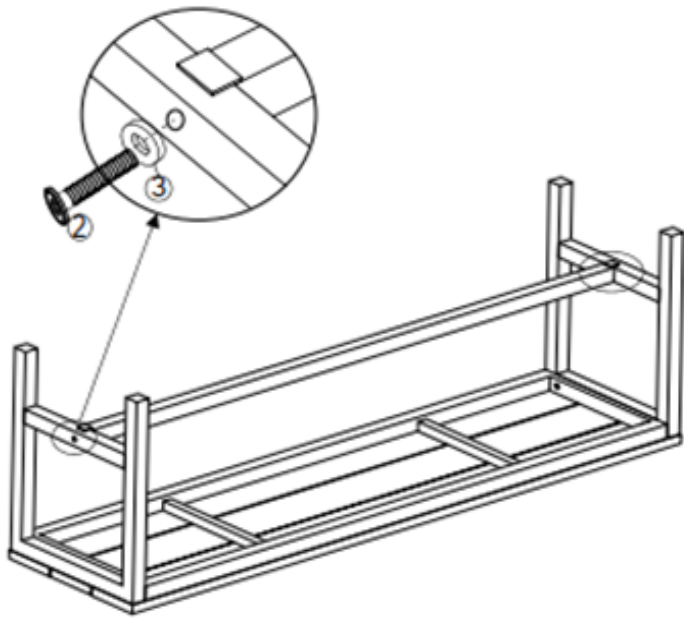




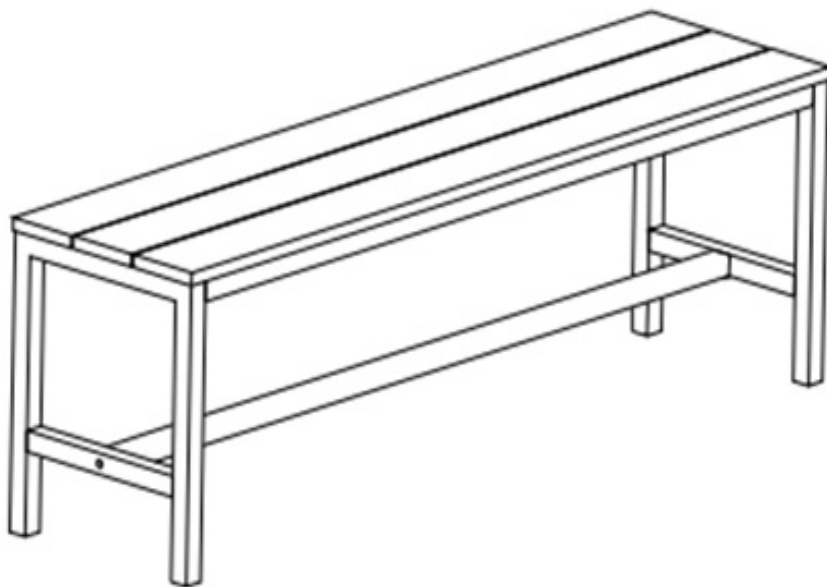
ASTON 1050MM OUTDOOR BENCH

ASSEMBLY INSTRUCTIONS

STEP 2



STEP 3



tusk-living.com.au

MADE IN VIETNAM

DISTRIBUTED BY:

ZENEXUS (AUS) PH: 1300 734 714

ZENEXUS (NZ) PH: 0800 443 058