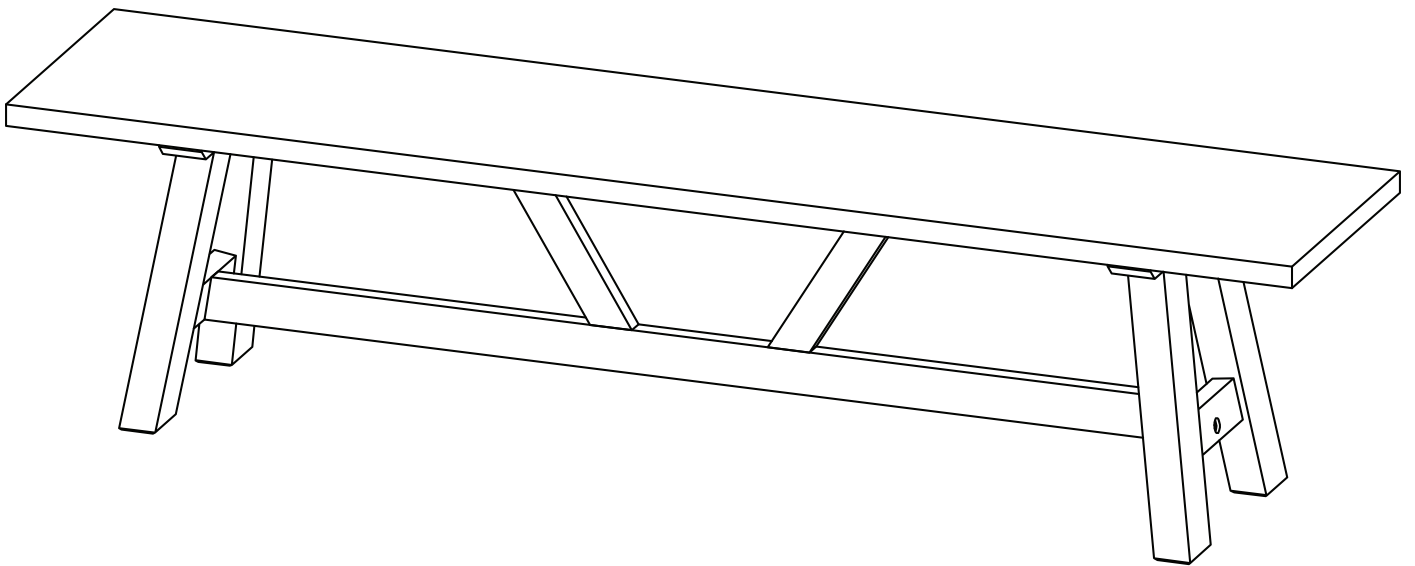




BETON BENCH SEAT

ASSEMBLY INSTRUCTIONS





BETON BENCH SEAT

ASSEMBLY INSTRUCTIONS

GFRC - GLASS FIBER REINFORCED CONCRETE TABLE TOP MAINTAINANCE

GFRC-Glass Fiber Reinforced Concrete is an extremely durable material, and with proper care, your concrete product will last a lifetime. Similar to natural stone products, slight variations in color, texture and porosity may occur and are considered inherent and valued qualities of concrete.

Hairline cracks, mottling and slight irregularities may occur, but will not affect the integrity of the product and are not considered a manufacturing defect.

Your GFRC-Glass Fiber Reinforced Concrete product is colored with pigments that are homogenously mixed within the cement surface.

The exposed surfaces have been coated with a proprietary food-safe water based sealer that protects the porous concrete material and creates a hydrophobic layer that limits staining and scratching of the surface layer.

Clean your concrete product as you would to an exotic natural stone surface such as marble or onyx. For general clean up, use warm water and soft or microfiber cloth to clean the surface. For stubborn surface soils or stains, use a mild household cleaner or liquid soap (containing no abrasive, chlorine /bleach, or ammonium).

A commercially available all-purpose / all-surface cleaner is appropriate. If products containing antibacterial or disinfectant agents are used, always test an inconspicuous area of the piece to ensure your cleaner is compatible with the finish.

Always remove cleaning agent residue with a clean water and rinse immediately; then dry.

Do not allow large standing water drops to air dry, or water spotting may occur.

General food preparation and spills will not stain the concrete as long as the protective sealer coating is maintained.

However, spills should be cleaned as soon as possible, within 12 hours. Since concrete is a porous material, water 'spotting' may occur, but generally disappears after it has time to evaporate.

While intense heat will not harm the concrete itself, setting a hot object directly on the surface may weaken or discolor the sealer, thus exposing the raw concrete to future staining and fading. Always use trivets under hot pots and pans. While the concrete is suitable for everyday use and food preparation, cutting and other abrasive activities should not be performed directly on the surface of the concrete.

To prevent scratching on the surface or wear of the sealer coat, use cutting boards, and felt or rubber pads on the bottom of all heavy or rough objects that remain on the surface for a long duration (i.e. small appliances).

Exposure to long periods of rain, pollution, and sunlight and temperature extremes will accelerate the wearing of the protective sealer and cause the appearance of the concrete surface to wear. It is suggested that a cover be placed over your outside table to assist in the longevity of the sealant and the original finish...

It is suggested to consider resealing your GFRC- Glass Fiber Reinforced Concrete table top after 36 months if exposed to weather. Use a good quality natural finish sealant, following manufacturer's instructions.

ACACIA INFORMATION

Acacia is a beautiful wood that is light in color with a comparable look to teak.

It can be painted, oiled, stained or left natural.

Acacia outdoor timber furniture requires appropriate care to keep the natural tones alive and vibrant.

Use a good quality outdoor timber oil to refinish your timber every 12-18 months or as required depending on how much sun exposure it is subject to.

To apply the outdoor timber oil firstly use an appropriate timber wash to make sure the surface to be oiled is free from dust and grime then apply your oil with a clean applicator.

In order to further protect your outdoor furniture a furniture cover maybe used.

If you choose to leave your Acacia timber natural without oiling or staining the timber will naturally turn a silvery grey color as it ages. A furniture cover is still recommended when not being used.

RESTORING TIMBER FURNITURE

If your timber outdoor furniture has gone that silvery grey color, you can restore back to its showroom beauty.

A gentle sanding to reveal the original color of the timber and using an appropriate timber wash before applying an outdoor timber oil to nourish and protect the timber.

NOTE: DO NOT APPLY OUTDOOR TIMBER OIL TO ANY GFRC COMPONENT AS IT MAY STAIN.

TIP: Protect your furniture by covering with vinyl furniture covers at night. During the winter, you may want to bring the wooden pieces indoors for storage. If this is not possible, cover them during the winter season with the vinyl covers

TIP: Make sure to keep your wood furniture free of standing water. Don't leave pieces standing in water during rainstorms.



BETON BENCH SEAT

ASSEMBLY INSTRUCTIONS

ELEMENTS

1 x1	2 x2	3 x1
4 x1	5 x2	

HARDWARE

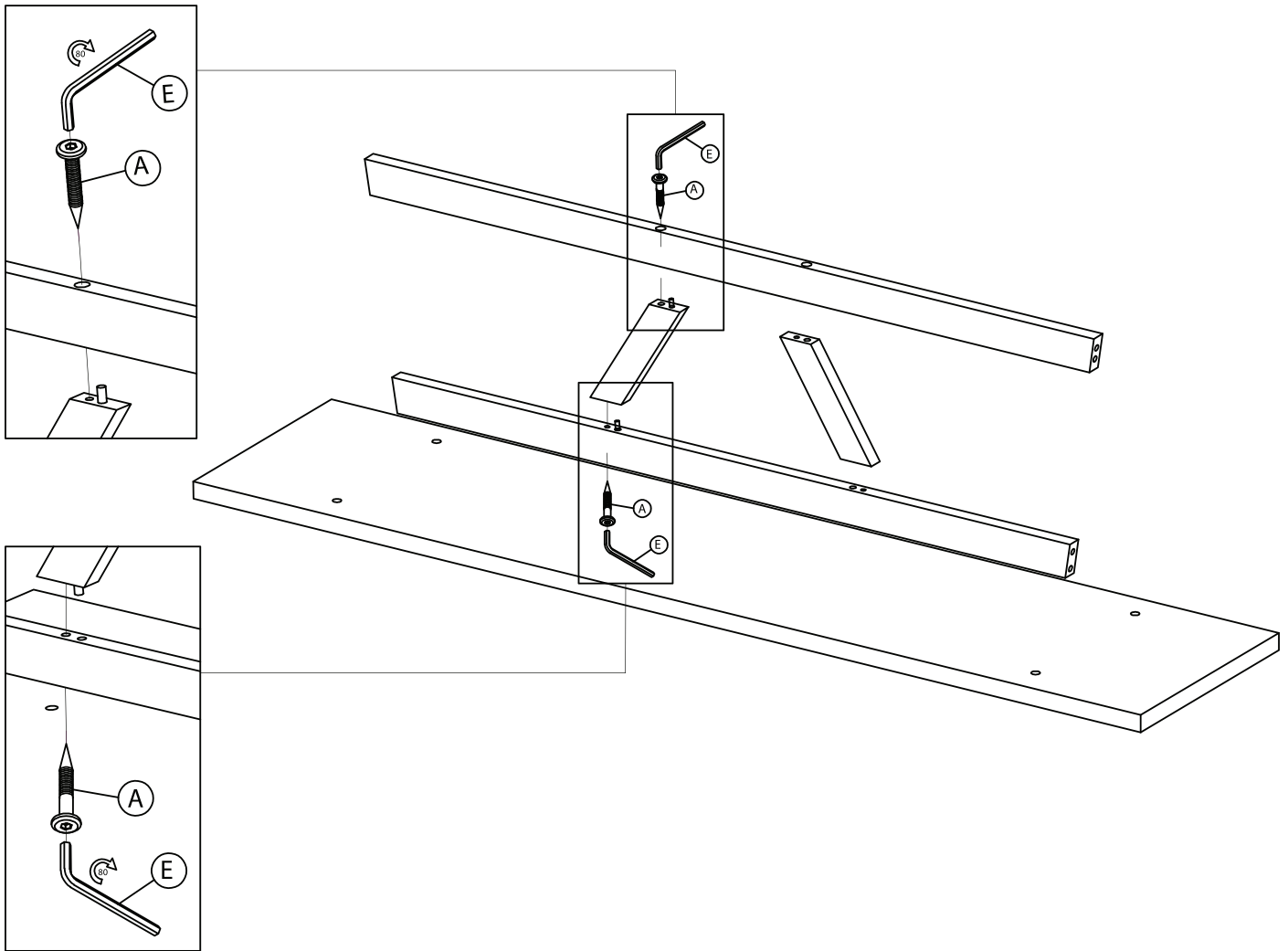
A x4	B x4	C x4
D x4	E x1	F x8



BETON BENCH SEAT

ASSEMBLY INSTRUCTIONS

STEP 1

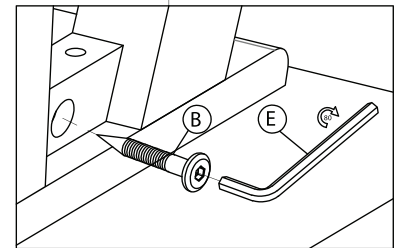
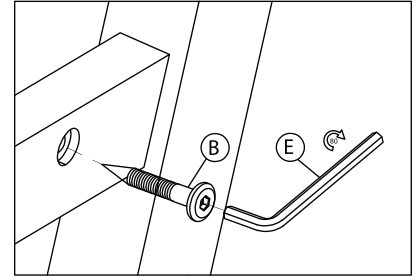
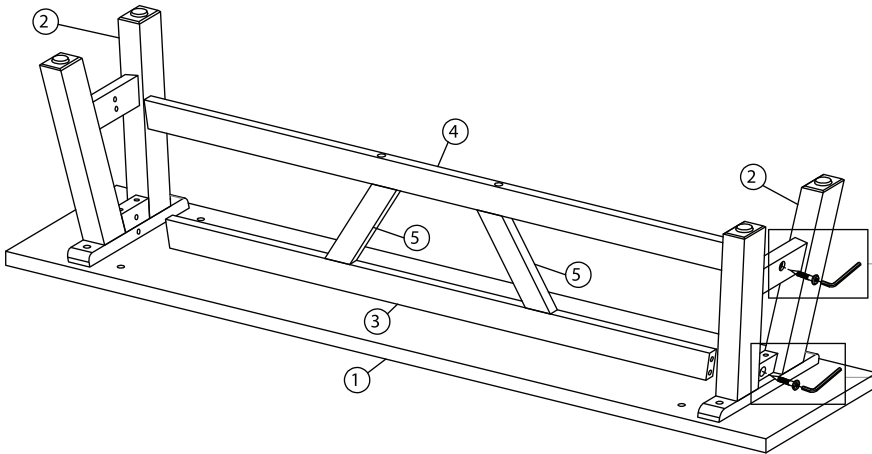




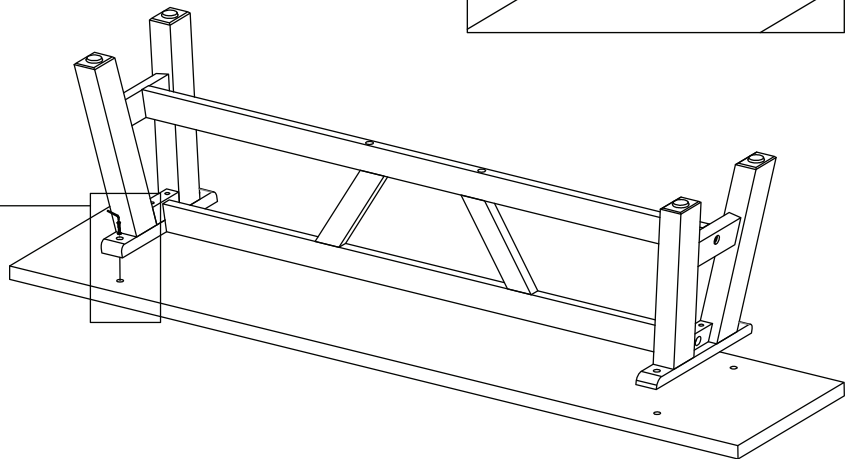
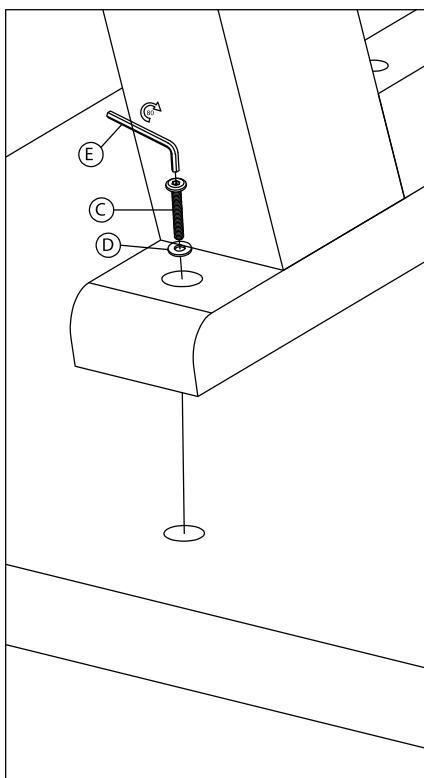
BETON BENCH SEAT

ASSEMBLY INSTRUCTIONS

STEP 2



STEP 3



tusk-living.com.au

MADE IN VIETNAM

DISTRIBUTED BY:

ZENEXUS (AUS) PH: 1300 734 714

ZENEXUS (NZ) PH: 0800 443 058